



CITY OF EVERETT
Purchasing Department
484 Broadway, Room 14
Everett, MA 02149

July 25, 2023

ADDENDUM 1

Question 1:

The two-rail cedar split rail is generally a 3' high fence – is that acceptable?

Answer 1:

Please see attached drawing

Question 2:

Are you looking for a Red Western Cedar fence?

Answer 2:

Red Cedar is not specified but can be offered and accepted.

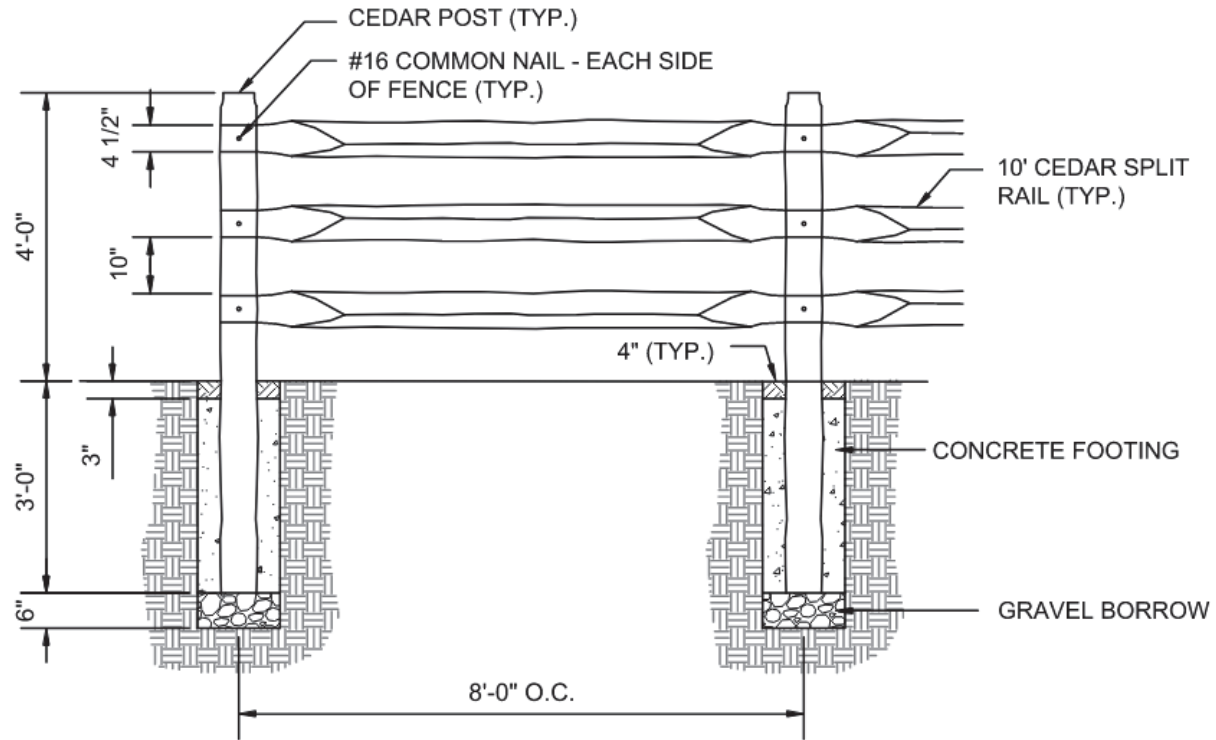
Question 3:

Is it actual post and rail and do you have any drawings of the fence?

Answer 3:

Please see attached drawing

EXAMPLE 1 – SPLIT RAIL FENCE



SPLIT RAIL FENCE
NOT TO SCALE